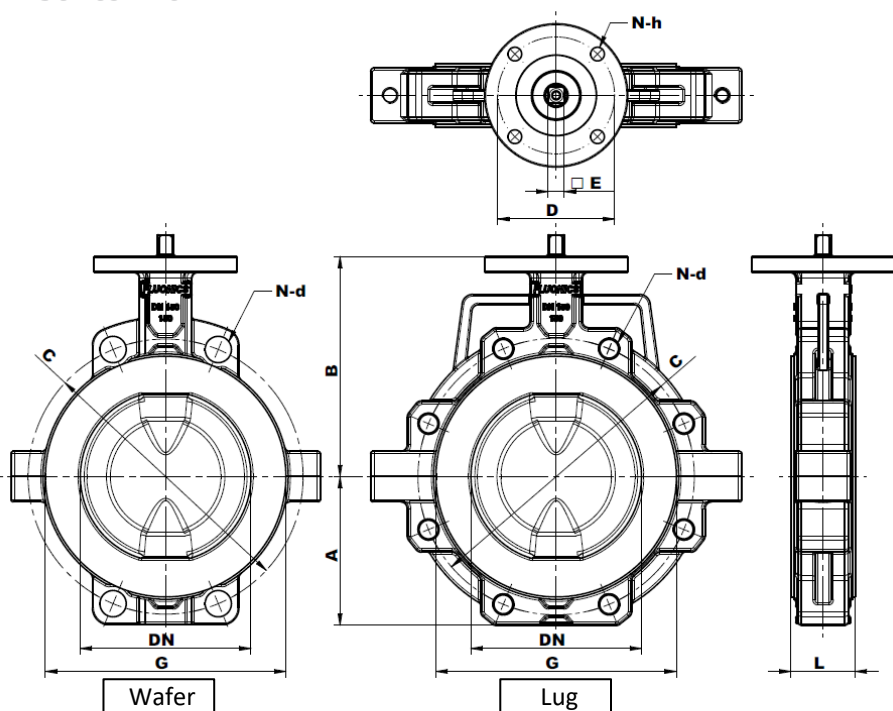
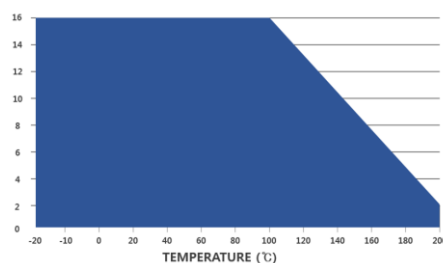


FLUONICS Lined Products

Series FBU1



Pressure-Temperature Chart



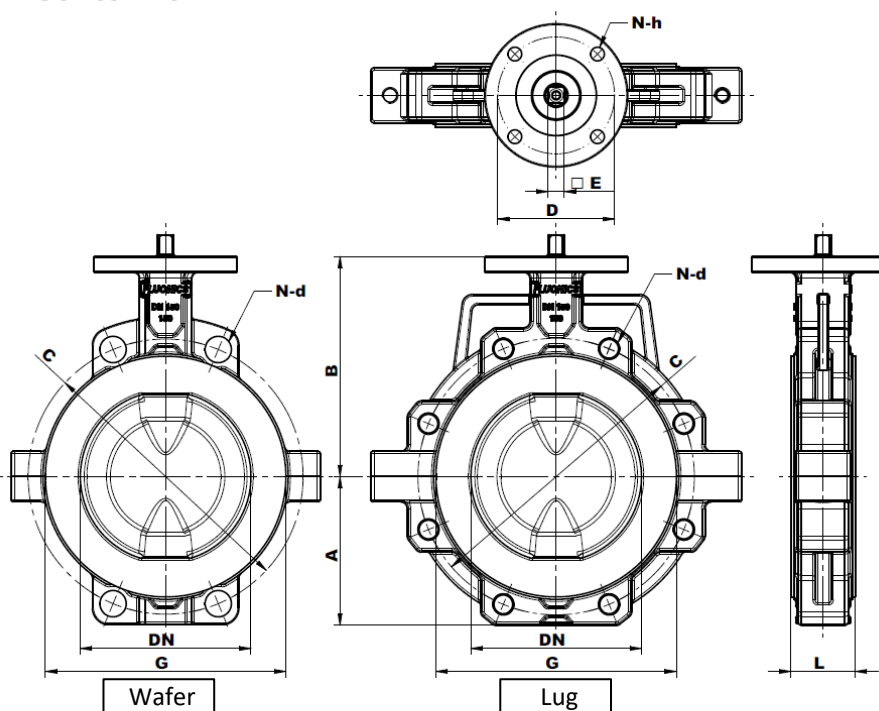
| SIZE (DN) | Operating Torque(N·m) | Cv |
|-----------|-----------------------|-------|
| 50 | 30 | 190 |
| 65 | 30 | 190 |
| 80 | 60 | 350 |
| 100 | 100 | 650 |
| 125 | 110 | 1060 |
| 150 | 140 | 2140 |
| 200 | 230 | 3480 |
| 250 | 420 | 6730 |
| 300 | 650 | 10438 |

ANSI 150 LBS

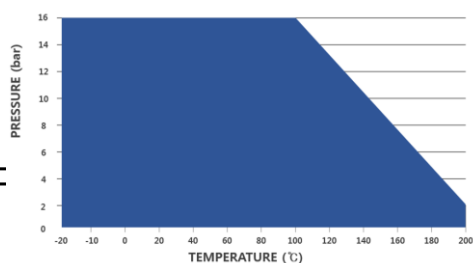
| SIZE (DN) | A | B | C | Wafer | Lug | D | N-h | E | G | L |
|-----------|-----|-----|-------|-------|--------|-----|------|----|-----|----|
| | | | | N-d | N-d | | | | | |
| 50 | 69 | 122 | 120.6 | 4-19 | 4-5/8 | 70 | 4-9 | 11 | 98 | 43 |
| 65 | 77 | 135 | 140 | 4-19 | 4-5/8 | 70 | 4-9 | 11 | 105 | 46 |
| 80 | 92 | 141 | 152.4 | 4-19 | 4-5/8 | 70 | 4-9 | 11 | 127 | 46 |
| 100 | 107 | 160 | 190.5 | 8-19 | 8-5/8 | 70 | 4-9 | 14 | 149 | 52 |
| 125 | 125 | 180 | 216 | 8-22 | 8-3/4 | 102 | 4-12 | 14 | 180 | 56 |
| 150 | 130 | 192 | 241.3 | 8-22 | 8-3/4 | 102 | 4-12 | 14 | 210 | 56 |
| 200 | 161 | 230 | 298.4 | 8-22 | 8-3/4 | 102 | 4-12 | 17 | 251 | 60 |
| 250 | 197 | 275 | 362 | 12-25 | 12-7/8 | 125 | 4-14 | 24 | 310 | 68 |
| 300 | 236 | 310 | 431.8 | 12-25 | 12-7/8 | 125 | 4-14 | 24 | 368 | 78 |

FLUONICS Lined Products

Series FBU1



Pressure-Temperature Chart



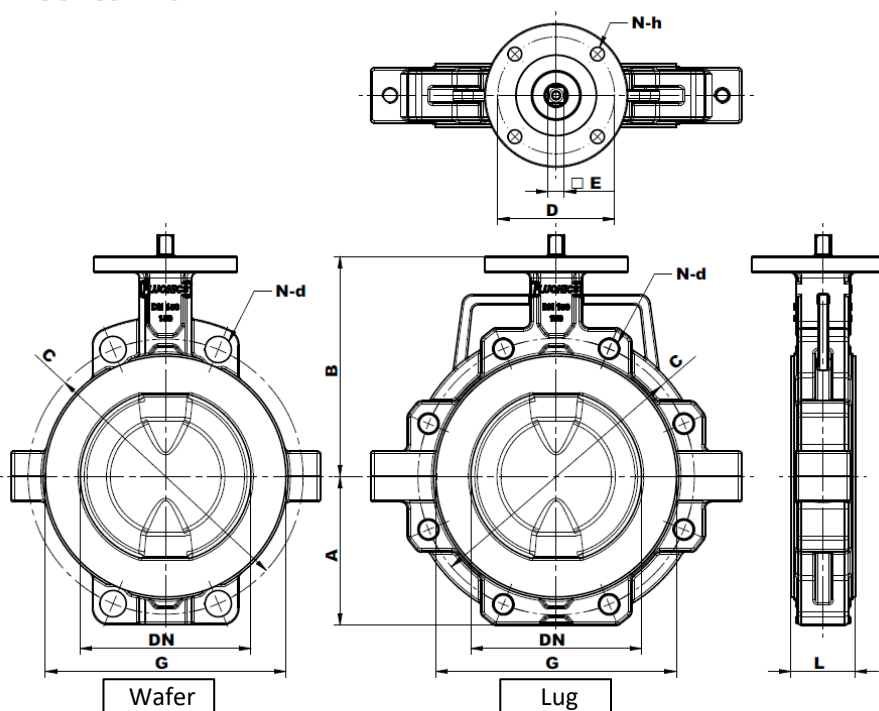
| SIZE (DN) | Operating Torque(N·m) | Cv |
|-----------|-----------------------|-------|
| 50 | 30 | 190 |
| 65 | 30 | 190 |
| 80 | 60 | 350 |
| 100 | 100 | 650 |
| 125 | 110 | 1060 |
| 150 | 140 | 2140 |
| 200 | 230 | 3480 |
| 250 | 420 | 6730 |
| 300 | 650 | 10438 |

JIS 10K

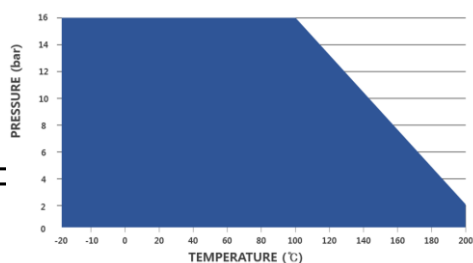
| SIZE (DN) | A | B | C | Wafer | Lug | D | N-h | E | G | L |
|-----------|-----|-----|-----|-------|--------|-----|------|----|-----|----|
| | | | | N-d | N-d | | | | | |
| 50 | 69 | 122 | 120 | 4-19 | 4-M16 | 70 | 4-9 | 11 | 98 | 43 |
| 65 | 77 | 135 | 140 | 4-19 | 4-M16 | 70 | 4-9 | 11 | 105 | 46 |
| 80 | 92 | 141 | 150 | 8-19 | 8-M16 | 70 | 4-9 | 11 | 127 | 46 |
| 100 | 107 | 160 | 175 | 8-19 | 8-M16 | 70 | 4-9 | 14 | 149 | 52 |
| 125 | 125 | 180 | 210 | 8-23 | 8-M20 | 102 | 4-12 | 14 | 180 | 56 |
| 150 | 130 | 192 | 240 | 8-23 | 8-M20 | 102 | 4-12 | 14 | 210 | 56 |
| 200 | 161 | 230 | 290 | 12-23 | 12-M20 | 102 | 4-12 | 17 | 251 | 60 |
| 250 | 197 | 275 | 355 | 12-25 | 12-M22 | 125 | 4-14 | 24 | 310 | 68 |
| 300 | 236 | 310 | 400 | 16-25 | 16-M22 | 125 | 4-14 | 24 | 368 | 78 |

FLUONICS Lined Products

Series FBU1



Pressure-Temperature Chart



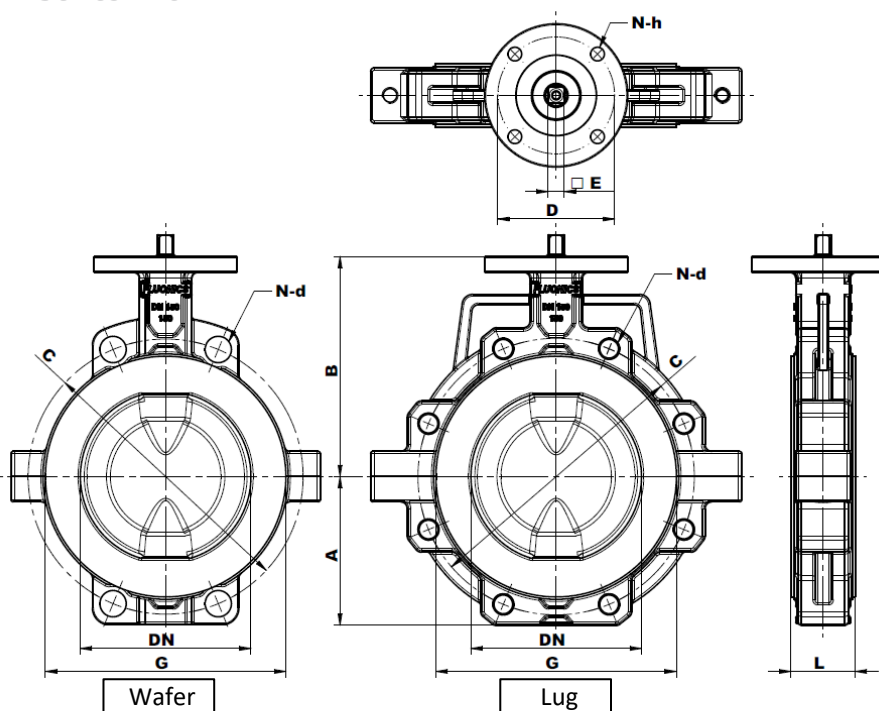
| SIZE (DN) | Operating Torque(N·m) | Cv |
|-----------|-----------------------|-------|
| 50 | 30 | 190 |
| 65 | 30 | 190 |
| 80 | 60 | 350 |
| 100 | 100 | 650 |
| 125 | 110 | 1060 |
| 150 | 140 | 2140 |
| 200 | 230 | 3480 |
| 250 | 420 | 6730 |
| 300 | 650 | 10438 |

PN 16

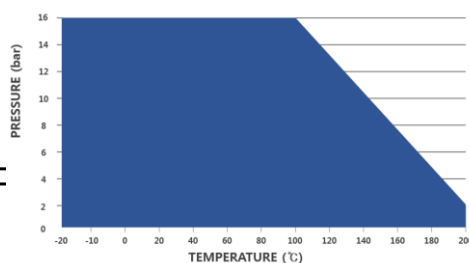
| SIZE (DN) | A | B | C | Wafer | Lug | D | N-h | E | G | L |
|-----------|-----|-----|-----|-------|--------|-----|------|----|-----|----|
| | | | | N-d | N-d | | | | | |
| 50 | 69 | 122 | 125 | 4-18 | 4-M16 | 70 | 4-9 | 11 | 98 | 43 |
| 65 | 77 | 135 | 145 | 4-18 | 4-M16 | 70 | 4-9 | 11 | 105 | 46 |
| 80 | 92 | 141 | 160 | 8-18 | 8-M16 | 70 | 4-9 | 11 | 127 | 46 |
| 100 | 107 | 160 | 180 | 8-18 | 8-M16 | 70 | 4-9 | 14 | 149 | 52 |
| 125 | 125 | 180 | 210 | 8-18 | 8-M16 | 102 | 4-12 | 14 | 180 | 56 |
| 150 | 130 | 192 | 240 | 8-22 | 8-M20 | 102 | 4-12 | 14 | 210 | 56 |
| 200 | 161 | 230 | 295 | 8-22 | 8-M20 | 102 | 4-12 | 17 | 251 | 60 |
| 250 | 197 | 275 | 355 | 12-22 | 12-M20 | 125 | 4-14 | 24 | 310 | 68 |
| 300 | 236 | 310 | 410 | 12-22 | 12-M20 | 125 | 4-14 | 24 | 368 | 78 |

FLUONICS Lined Products

Series FBU1



Pressure-Temperature Chart



| SIZE (DN) | Operating Torque(N·m) | Cv |
|-----------|-----------------------|-------|
| 50 | 30 | 190 |
| 65 | 30 | 190 |
| 80 | 60 | 350 |
| 100 | 100 | 650 |
| 125 | 110 | 1060 |
| 150 | 140 | 2140 |
| 200 | 230 | 3480 |
| 250 | 420 | 6730 |
| 300 | 650 | 10438 |

PN 10

| SIZE (DN) | A | B | C | Wafer | | Lug | D | N-h | E | G | L |
|-----------|-----|-----|-----|-------|--------|-----|------|-----|-----|----|---|
| | | | | N-d | N-d | | | | | | |
| 50 | 69 | 122 | 125 | 4-18 | 4-M16 | 70 | 4-9 | 11 | 98 | 43 | |
| 65 | 77 | 135 | 145 | 4-18 | 4-M16 | 70 | 4-9 | 11 | 105 | 46 | |
| 80 | 92 | 141 | 160 | 8-18 | 8-M16 | 70 | 4-9 | 11 | 127 | 46 | |
| 100 | 107 | 160 | 180 | 8-18 | 8-M16 | 70 | 4-9 | 14 | 149 | 52 | |
| 125 | 125 | 180 | 210 | 8-18 | 8-M16 | 102 | 4-12 | 14 | 180 | 56 | |
| 150 | 130 | 192 | 240 | 8-22 | 8-M20 | 102 | 4-12 | 14 | 210 | 56 | |
| 200 | 161 | 230 | 295 | 8-22 | 8-M20 | 102 | 4-12 | 17 | 251 | 60 | |
| 250 | 197 | 275 | 350 | 12-22 | 12-M20 | 125 | 4-14 | 24 | 310 | 68 | |
| 300 | 236 | 310 | 400 | 12-22 | 12-M20 | 125 | 4-14 | 24 | 368 | 78 | |